

MA.X2 MOISTURE ANALYZERS



release date 04-08-2016



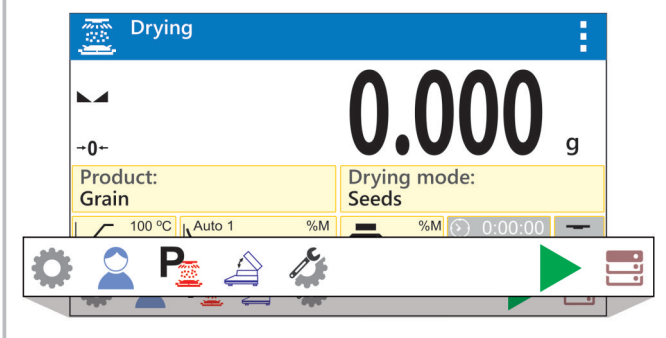
MA.X2 moisture analyzers are hi-tech measuring instruments intended for quick determination of relative moisture content, dry mass content and other parameters in samples of different substances.

Highlights of MA X2 series moisture analyzer:

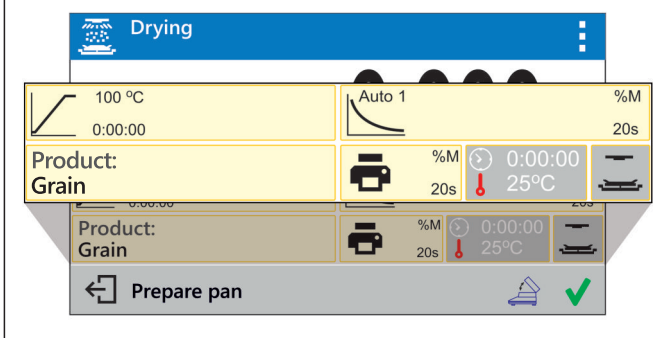
- Modern interface
- Touchscreen
- Programmable display
- Easy configuration of information arrangement
- Wide range of databases – work optimization
- Databases – security and archiving of your work results
- USB interface allowing export of results and databases
- E2R software allowing on-line control over your work

Interface

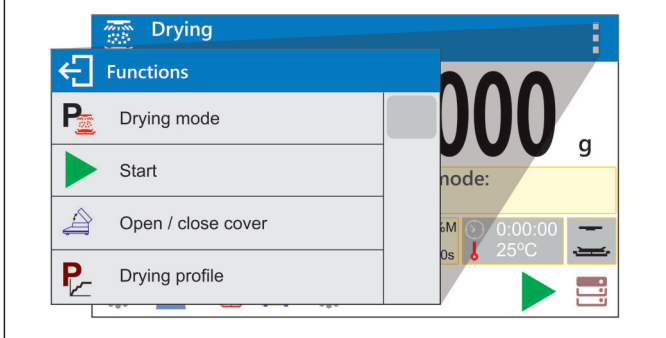
Hot-Keys



Labels and information fields



Functions keys



Databases

Drying process can be carried out for any temperature and set for a specific product using following databases:

| | | | |
|-----------------|------|------------------------|------|
| PRODUCTS | 5000 | USERS | 100 |
| DRYING PROGRAMS | 200 | DRYING PROCESS REPORTS | 5000 |
| CUSTOMERS | 100 | PACKAGINGS | 100 |

GLP/GMP Printouts

Information on drying parameters and moisture content result can be printed immediately using following elements: header – GLP – footer. Each of those elements can be customized in order to create a printout consistent with the requirements (GLP/GMP).

An example of a printout

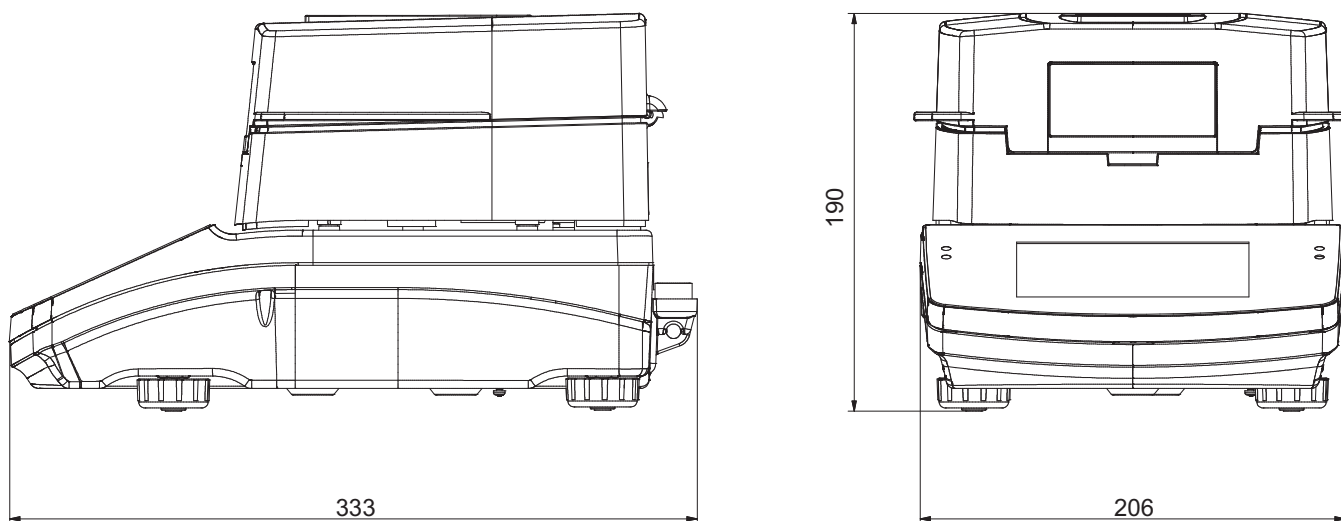
| | |
|-----------------------------------|------------|
| ----- Drying process report ----- | |
| Start date | 2016.07.02 |
| End date | 14:24:02 |
| Operator | John Smith |
| Product | Grain |
| Drying mode | Seeds |
| ----- Drying parameters ----- | |
| Drying profile | Standard |
| 110 °C | |
| Finish mode | Automatic3 |
| 1mg/60s | |
| Indication | %M |
| Interval | 30 s |
| Start mass | 2,595 g |
| ----- | |
| 0:00:30 | ? 0,694%M |
| 0:01:00 | ? 0,694%M |
| 0:01:30 | ? 0,694%M |
| ----- | |
| 0:07:00 | ? 0,694%M |
| 0:07:23 | ? 0,694%M |
| Status | Completed |
| End date | 2016.08.03 |
| End time | 0:07:23 |
| Drying time | 14:24:02 |
| End mass | 2,315 g |
| Indication | 10,790 %M |

Technical specification:

| | MA 50/1.X2 | MA 50.X2 | MA 110.X2 | MA 210.X2 |
|--------------------------------|---|----------|-----------|-----------|
| Max capacity | 50 g | 50 g | 110 g | 210 g |
| Readability [d] | 0,1 mg | 1 mg | 1 mg | 1 mg |
| Tare range | -50 g | -50 g | -110 g | -210 g |
| Max sample weight | 50 g | 50 g | 110 g | 210 g |
| Moisture readout accuracy | 0,0001 % | 0,001 % | 0,001 % | 0,001 % |
| Moisture content repeatability | 0,05% (sample weight of 2 g), 0,01% (sample weight of 10 g) | | | |
| Max sample height | h= 20 mm | | | |
| Weighing pan size | Ø 90 mm, h= 8 mm | | | |
| Drying temperature range | max. 160° C | | | |
| Heating module * | IR emitter | | | |
| Drying mode | 4 drying modes (standard, quick, step, mild) | | | |
| Auto switch-off options | 4 options (time-defined, automatic, manual, user-defined) | | | |
| Additional functions | Control of sample weight prior drying process | | | |
| Power supply | 230 V | | | |
| Display | LCD 5" capacitive touchscreen | | | |
| Interface | 1×RS 232, 1×USB-A, 1×USB-B, 1×Wireless Module | | | |
| Proximity sensors | 2 | | | |
| Net weight/gross weight | 4,9 / 6,4 kg | | | |
| Packaging size | 470×380×336 mm | | | |

* Heating element options: WH - halogen (max= 250° C), NS - metal heater (max=160° C)

Dimensions:



Additional equipment:

| | |
|--|---|
| Anti-Vibration Table (coated or stainless steel) | GT105k-12/Z Control Thermometer |
| EPSON Printer | Adjustment Weight |
| Disposable Weighing Pans | PW-WIN, RAD-KEY PC Software |
| PC Keyboard | Calbe RS 232 (balance - computer) "P0108" |
| Water Vapour Permeability Determination Set | Cable RS 232 (balance - Epson, Citizen printer) "P0151" |