

PRECISION BALANCES APP 3Y



release date 23-06-2016



APP 10.3Y

Balances APP 3Y series are laboratory weighing instruments featuring 5,7" LCD colour touch panel which provides new possibilities of balance operation and presenting measurement results. Personalization of balance settings is carried out in extended user profiles. 3Y series comes standard with system of automatic internal adjustment. Level control is based on LevelSENSING system, RADWAG patented solution, which uses a system of an electronic level. Balances APP 3Y series enable online monitoring of ambient conditions through built-in sensors or an external ambient conditions module THB 3 series.

Large weighing pan 347 x 259 mm enables weighing loads with large dimensions. Balances with reading unit 10 mg feature a dedicated openwork weighing pan limiting influence of air movement onto the measurement result. APP 3Y series is successfully used in applications such as parts counting, differential weighing also in industrial conditions.

- Parts counting
- Dosing
- Checkweighing
- Formulation
- Percent deviations
- Statistics
- Animal weighing
- Differential weighing
- Density determination
- Statistical Quality Control
- Autotest (GLP, Filter)
- GLP procedures
- Infrared sensors
- Ambient conditions monitoring
- Newton unit measurement
- Replaceable units
- Mass for titrator

Communication interfaces

- Ethernet 10/100 Mbps
- Wi-Fi 802.11 b,g,n,
- RS 232
- 2xUSB 2.0
- 4 in/out



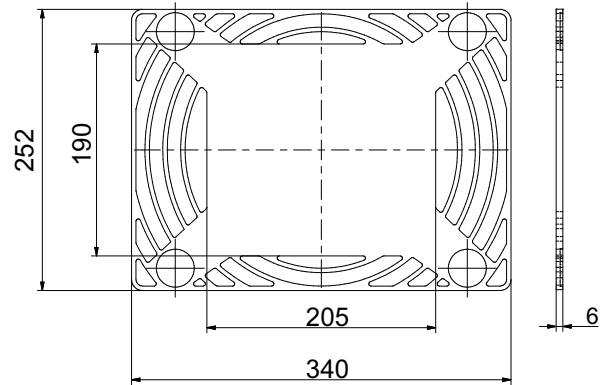
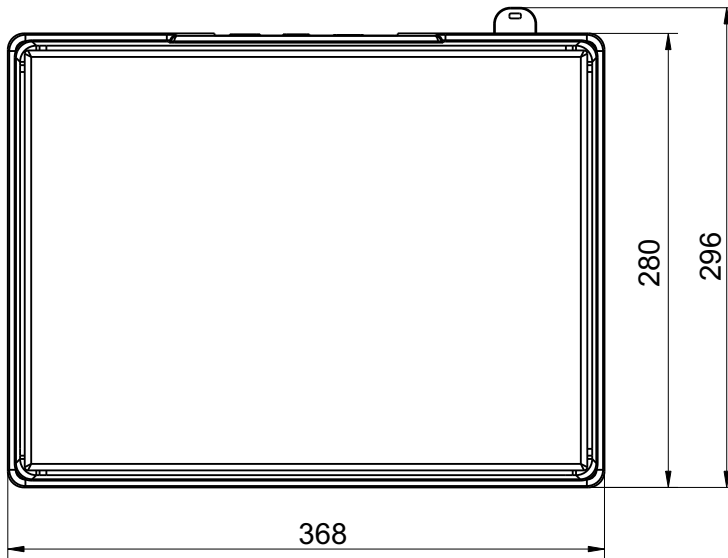
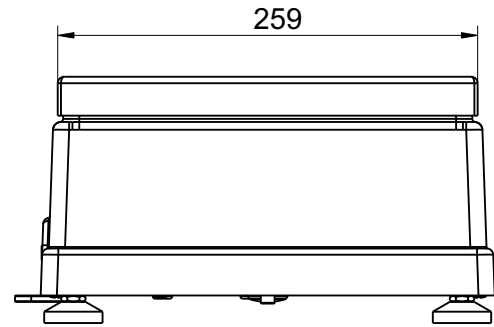
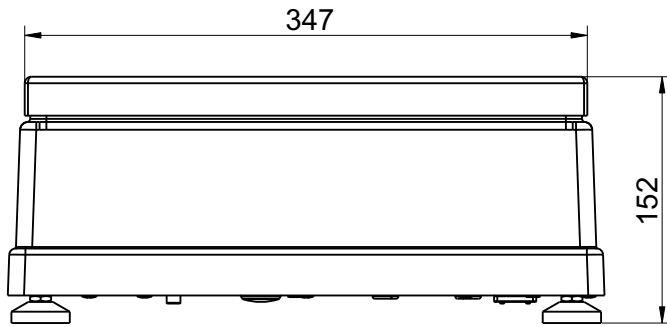
Additionally option: APP xx.3Y.B

Technical specification:

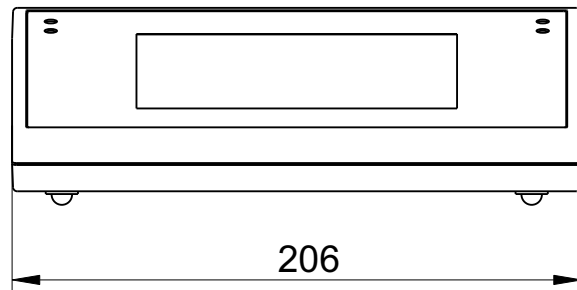
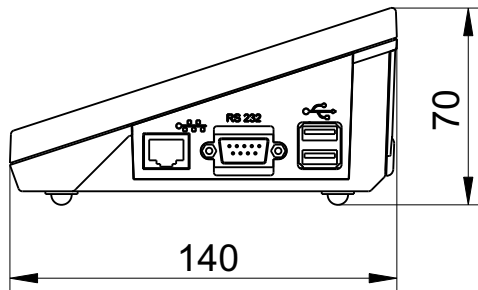
| | APP 10.3Y M16 | APP 25.3Y M16 | APP 35.3Y M16 | APP 10/50.3Y - |
|---------------------------|---|-------------------------|-------------------------|-------------------|
| Max capacity | 10 kg | 25 kg | 35 kg | 10 kg / 50 kg |
| Minimum load | 0,5 g | 5 g | 5 g | 5 g |
| Readability | 0,01 g | 0,1 g | 0,1 g | 0,1 g / 0,5 g |
| Tare range | -10 kg | -25 kg | -35 kg | -50 kg |
| Repeatability * | 0,01 g | 0,1 g | 0,1 g | 0,1 g / 0,5 g |
| Linearity | ± 0,02 g | ± 0,2 g | ± 0,3 g | ± 0,1 g / ± 0,5 g |
| Adjustment / Calibration | internal | | | |
| Pan size | 205 x 190 mm | 347 x 259 mm | | |
| Stabilization time | 3 s | 2 s | 2 s | 2 s |
| Sensitivity drift | 2 ppm/°C in temperature +15 ° ÷ +35 °C | | | |
| Minimum weight (USP) | 10 g | 100 g | 100 g | 100 g |
| Minimum weight (U=1%,k=2) | 1 g | 10 g | 10 g | 10 g |
| Interface | 2xUSB, 2xRS 232, 1xEthernet, Wi-Fi 802.11 b,g,n, 4 in / 4 out (digital) | | | |
| Power supply | 13,5 ÷ 16 V DC / 2,1 A | | | |
| Display | 5,7" touch screen | | | |
| Net weight / Gross weight | 19,9 / 22,9 kg | | | |
| Packaging size | 570 x 560 x 325 mm | | | |

* Repeatability is expressed as a standard deviation from 10 weighing cycles

Dimensions:



APP 10.3Y



Additional equipment:

| | |
|---|---|
| Antivibration table for laboratory balances | THB 3 ambient conditions module |
| Dot matrix Epson printer | Power adapter with battery and charger ZR-02 |
| Label printer Citizen | Mass standard |
| Tare and "Print" foot button | Power loop module AP2-1 (wersja plastikowa) |
| PW-WIN computer software | Antistatic cable PA 1 |
| RAD-KEY computer software | Bar code scanner |
| Additional LCD display "WD-5" | Cable RS 232 (scale, Epson , Citizen printer) "P0151" |
| PC USB keyboard | |